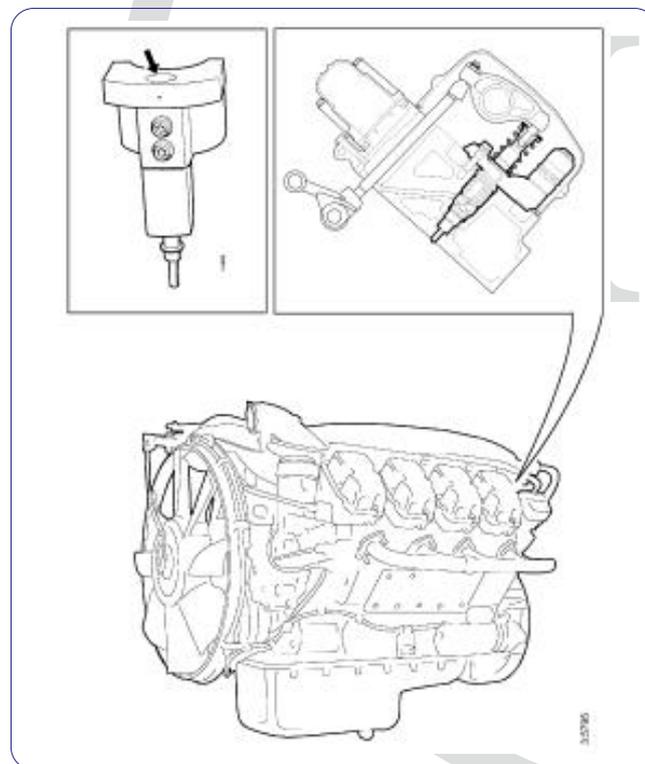
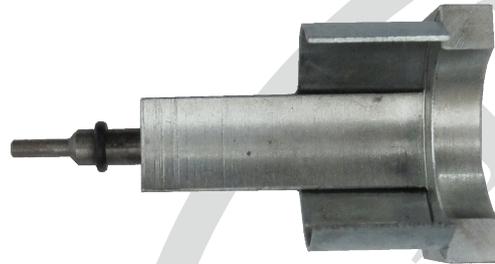


# H.C.B-A1701

## SCANIA TRUCK INJECTOR ADJUSTOR



- For setting PDE unit injectors
- SCANIA OEM No.ref.: 99414



**IMPORTANT: READ THESE INSTRUCTIONS CAREFULLY.**

※ Warning! Ensure Health and Safety, local authority and general work shop practice regulations are adhered to when using tools.

※ DO NOT use tool if damaged.

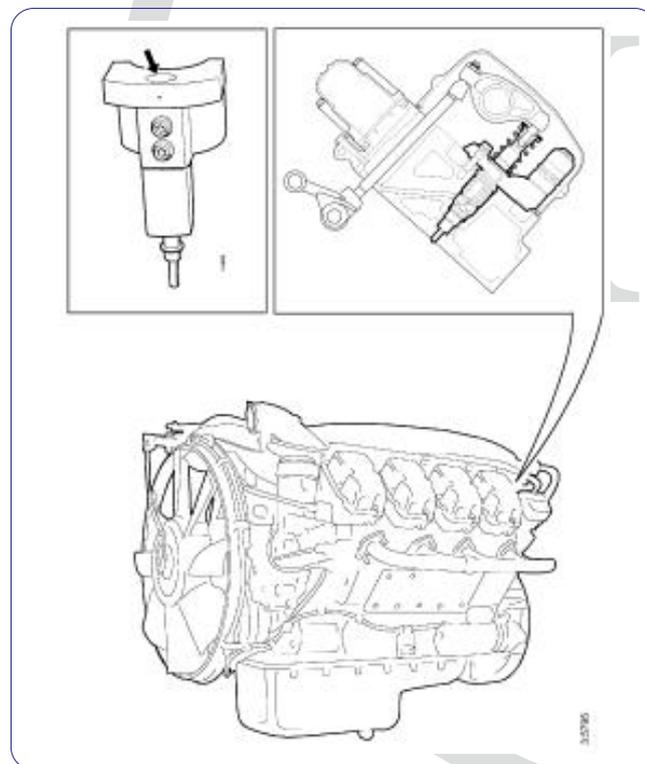
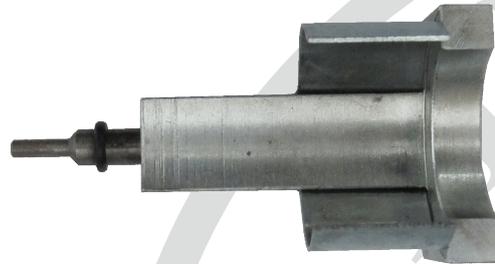
※ Maintain tool in good and clean condition for best and safest performance.

※ WARNING! The warnings, caution and instructions referred to in this manual cannot cover all possible conditions and situations that may occur. It must be understood that common sense and caution are factors which cannot be built into this product, but must be applied by the operator.



# H.C.B-A1701

## SCANIA TRUCK INJECTOR ADJUSTOR



- For setting PDE unit injectors
- SCANIA OEM No.ref.: 99414



**IMPORTANT: READ THESE INSTRUCTIONS CAREFULLY.**

※ Warning! Ensure Health and Safety, local authority and general work shop practice regulations are adhered to when using tools.

※ DO NOT use tool if damaged.

※ Maintain tool in good and clean condition for best and safest performance.

※ WARNING! The warnings, caution and instructions referred to in this manual cannot cover all possible conditions and situations that may occur. It must be understood that common sense and caution are factors which cannot be built into this product, but must be applied by the operator.

