

WEG665 WCS TDos&9kg

W1 front-loader washing machine:

A | 9 kg | 1400 rpm | Automatic dispensing | Pre-ironing | Miele@home



- Tested for 20 years of perfect laundry care*
- Save energy in the best energy efficiency class (A)
- Precise and automatic detergent dispensing with TwinDos®**
- The Pre-ironing Extra reduces creasing, saving up to 50 % time and effort***
- Complete app control of your washing machine with Miele@home****

* During the development phase of the W1 washing machine series, Miele tested models and core components in 5000 wash loads (= 5 wash loads per week for 50 weeks per year) in various programmes. More: miele.com/20years

** Patent EP 2 784 205

*** Patent EP 2 088 231

**** Additional digital offer from Miele & Cie. KG. All smart applications are made possible with the Miele@home system. The range of functions can vary depending on the model and the country.



EAN: 4002516257790 / Material number: 11359270 /
Old Material Number: 11EG6655GB

Construction type	
Suitable for stacking	•
Side-by-side	•
Slot-in	•
Can be built-under	•
Door hinge	right
Model	
Product brand	W1 Chrome Edition
Front-loader	•
Spinning	
Max. spin speed	1400
Rinse hold	•
Without spin function	•
Design	
Appliance colour	Lotus white
Control panel colour	Lotus white
Door design	Chrome
Rotary selector colour	Lotus White / Chrome ring
Control panel version	Straight
Control type	Rotary control
Display	ComfortSensor white, 1 line
Cleaning performance	
TwinDos automatic detergent dispensing	•
CapDosing portioned dispensing	•
Gentle laundry care	
Honeycomb drum	•
Load in kg	9.0
User convenience	
Networking with Miele@home	•
Delay start up to 24 hours	•
Time left display	•
Programme sequence indicator	•
Drum lighting	LED
MultiLingua	•
AutoClean detergent drawer	•
AddLoad	•
Efficiency and sustainability	
Energy efficiency class (A–G)	A
Weighted energy consumption per 100 operating cycles for the wash cycle in kWh	49
Weighted water consumption per cycle in l	48
Spin efficiency class	B
Acoustic airborne noise emission class (spin cycle)	A
Sound emissions during spin cycle in dB(A) re 1 pW	68
Duration of the “ECO 40–60” programme at nominal capacity	209
Power rating in off mode in W	0.40
Power rating in networked standby in W	0.80

WEG665 WCS TDos&9kg

W1 front-loader washing machine:

A | 9 kg | 1400 rpm | Automatic dispensing | Pre-ironing | Miele@home



EAN: 4002516257790 / Material number: 11359270 /

Old Material Number: 11EG6655GB

Low temperature wash "Cold" and "20 °C"	•
Automatic load control	•
Flow meter	•
Foam sensing	•
ProfiEco motor	•
Wash programmes	
Automatic plus	•
Cottons (coloureds)	•
Minimum iron	•
Delicates	•
Shirts	•
Silk (hand-washable)	•
Woollens (hand-washable)	•
Express 20	•
Dark garments / Denim	•
Outerwear	•
Proofing	•
Sportswear	•
Clean machine	•
Cottons Arrow	•
Separate rinse/Starch	•
Drain / Spin	•
ECO 40-60	•
Washing extras	
Short	•
Soak	•
Pre-wash	•
Water plus	•
Additional rinse cycle	•
Extra quiet	•
Pre-ironing with steam	•
Buzzer	•
AllergoWash	•
Safety	
Water protection system	Watercontrol-System
Safety lock	•
PIN-Code	•
Optical interface	•
Technical data	
Dimensions in mm (width)	596
Dimensions in mm (height)	850
Dimensions in mm (depth)	636
Appliance depth in mm with opened door	1054
Appliance depth excluding door (for building-under) in mm	600
Weight in kg	95
Total rated load in kW	2.10-2.40
Voltage in V	220-240
Fuse rating in A	13

WEG665 WCS TDos&9kg

W1 front-loader washing machine:

A | 9 kg | 1400 rpm | Automatic dispensing | Pre-ironing | Miele@home



EAN: 4002516257790 / Material number: 11359270 /

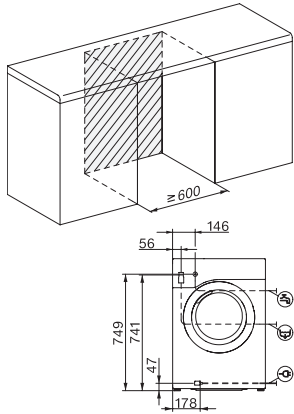
Old Material Number: 11EG6655GB

Frequency in Hz	50
Length of water inlet hose in m	1.60
Length of water drain hose in m	1.50
Length of supply lead in m	2
Replacing lamps	Service
Accessories included	
3 Caps	•
UltraPhase 1 + 2	•
Voucher for 5 Miele UltraPhase cartridges	•
Available display languages	
Available display languages through MultiLingua	bahasa malaysia, deutsch, english (AU), english (GB), español, português, [?], [?], [?], [?], [?], [?], [?], [?]

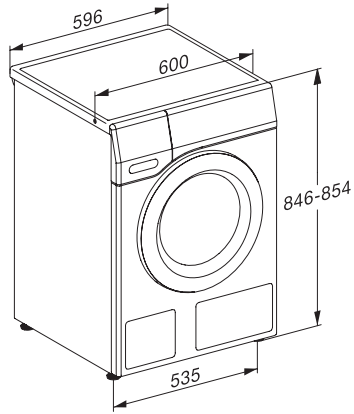
WEG665 WCS TDos&9kg

W1 front-loader washing machine:

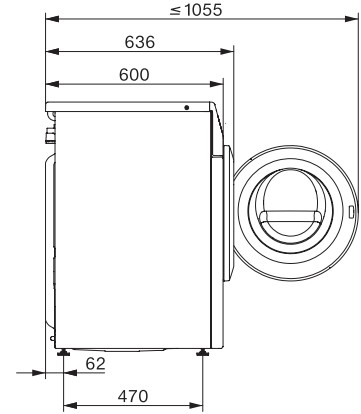
A | 9 kg | 1400 rpm | Automatic dispensing | Pre-ironing | Miele@home



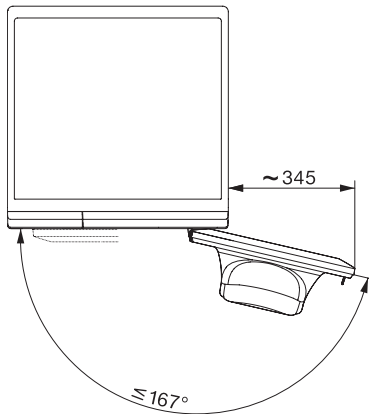
W1 installation drawing, slanted fascia or straight fascia, measures in mm



W1 drawing, slanted fascia or straight fascia, measures in mm



W1 drawing, slanted fascia or straight fascia, measures in mm



W1 drawing, slanted fascia or straight fascia, measures in mm