



ADJUSTABLE & LINKING PRO WORK PLATFORM

10 HEIGHT POSITIONS

PLUS
QUICK LINK TECHNOLOGY

no tools required



Storage



Stairway



Uneven Ground



Adjustable Leg



Linking Platforms



Linking Platforms Adjustable Leg



GO WHERE OTHER PLATFORMS CAN'T



Quick link technology links
2 or more platforms*



Single handed lock and height
adjustment for ease of use



Easy-Grab handle for easy
transporting and manoeuvring



ADJUSTABLE & LINKING PRO WORK PLATFORM

136kg

MAX. LOAD
(Load includes user, tools, materials, etc.)



- Ten different height positions to accommodate all types of job requirements
- Height adjustment allows the platform to be set on uneven surfaces or stairways
- Lightweight aluminium design
- Folds completely flat with the compacted depth of just 11cm for easy storage and transportation

SPECIFICATIONS

Product Code	Folded Dimensions (W x L x H)	Platform Size	Open & Extended Dimensions (W x L x H)	Platform Height	Safe Working Height*	Weight
--------------	-------------------------------	---------------	--	-----------------	----------------------	--------

SINGLE PLATFORM

79024	0.51m x 1.19m x 0.11m (1'8" x 3'11" x 4")	0.36m x 1.17m (1'2" x 3'10")	0.51m x 1.45-1.58m x 0.51-0.76m (1'8" x 4'9"-5'2" x 1'8"-2'6")	0.51m - 0.76m (1'8" - 2'6")	2.26m - 2.51m (7'5" - 8'3")	10.43kg
-------	--	---------------------------------	---	--------------------------------	--------------------------------	---------

TWO LINKING PLATFORMS

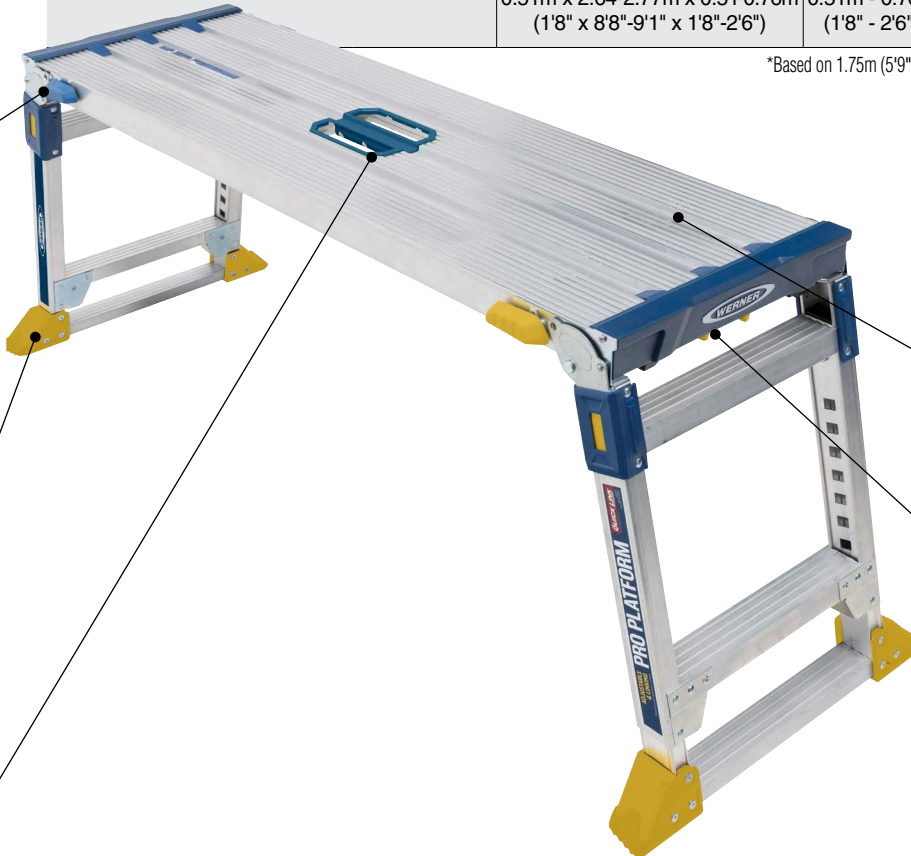
			0.51m x 2.64-2.77m x 0.51-0.76m (1'8" x 8'8"-9'1" x 1'8"-2'6")	0.51m - 0.76m (1'8" - 2'6")	2.26m - 2.51m (7'5" - 8'3")	20.86kg
--	--	--	---	--------------------------------	--------------------------------	---------

*Based on 1.75m (5'9") as the average reach height of a person.

Dual self-locking legs securely lock when opened for safety and lock again when closed

Wide, non-marring feet provide slip-resistance and protects floor from damage

Easy-grab handle allows you to transport the platform in one hand while holding supplies in the other



Large platform provides a non-slip surface

Single handed lock & height adjustment for ease of use



Safety Tested
Suitable for
Trade & DIY use

QUICK LINK TECHNOLOGY



no tools required



Link 2 or more platforms* with no tools required

*Compatible with 79024 Model only.



SEE THE VIDEO