

Kytun™

ALUVERGE®

C02P SLATE DRY VERGE

TECHNICAL DATA SHEET

The Kytun Slate Dry Verge System Type 2 System secures slate applications on gable ends permanently protecting the verge from the elements especially wind uplift and rain.

The design helps protect the edge of the roof from the elements and eliminates the possibility of lifting and damage to the roof underlay. No mortar or timber guides are required. It can be bespoke manufactured to virtually any profile to suit individual requirements.



✓ BS 8612

✓ BS 5534

bre



C02P/NP/LP SLATE DRY VERGE

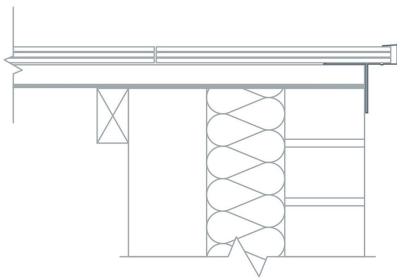
TECHNICAL DATA SHEET

Product Details

The Kytun Slate Dry Verge System permanently secures slate applications on gable ends protecting the verge from wind uplift and rain.

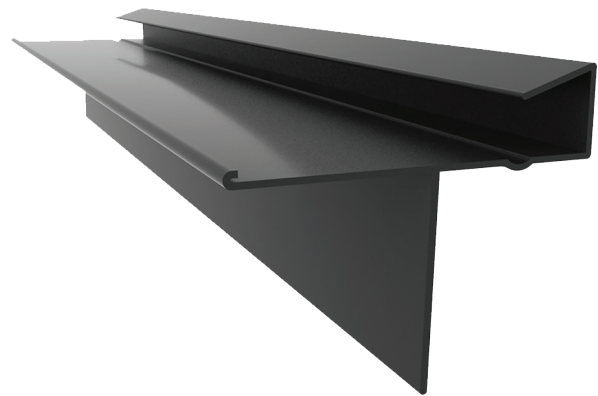
The Slate Dry verge System can be used with both interlocking slates and double lap natural or fibre cement slates.

The components are manufactured from high durability extruded and injection moulded UV inhibited PVC-U.



Product Features

- Provides full wind uplift and rain protection.
- Patented 'Drip System' which allows for self drainage of rain water into the gutter.
- Extremely easy and quick to install.
- Requires no maintenance once installed.
- Extensive range of colours available.

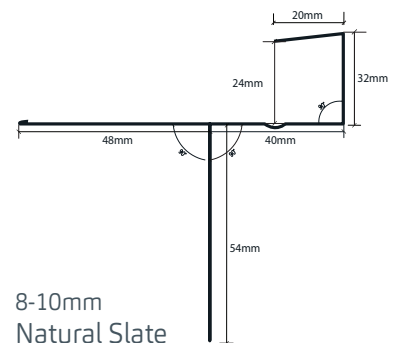
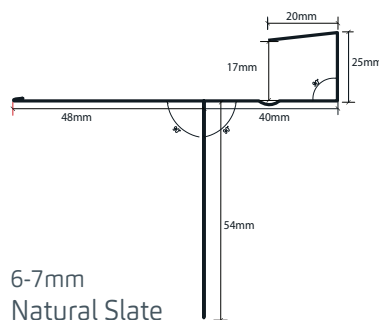
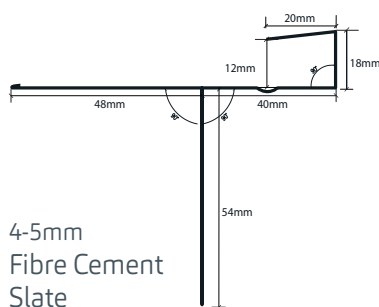


Dimensions

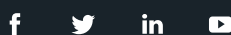
C02P/C02NP/C02LP Slate Trim Type 2 uPVC

Overall length: 2400mm/3000mm

Code	Size	Colour	Pk Qty
C02P	18mm x 2.4m/3m	Blk	8
C02NP	25mm x 2.4m/3m	Blk	8
C02LP	32mm x 2.4m/3m	Blk	8



NWA
GROUP



U.K. Office: Brook Hse, Stock Lane,
Halifax, W. Yorkshire, HX2 7RU.

T. +44 (0)1684 293702

E. info@kytun.com W. www.kytun.com