

# Kytun™

## ALUVERGE®

### C02 SLATE DRY VERGE

#### TECHNICAL DATA SHEET

The Kytun Slate Dry Verge System Type 2 System secures slate applications on gable ends permanently protecting the verge from the elements especially wind uplift and rain.

The design helps protect the edge of the roof from the elements and eliminates the possibility of lifting and damage to the roof underlay. No mortar or timber guides are required. It can be bespoke manufactured to virtually any profile to suit individual requirements.

All our bespoke dry verge is manufactured from 0.7mm high grade Aluminium.



bre



# C02/2N SLATE DRY VERGE

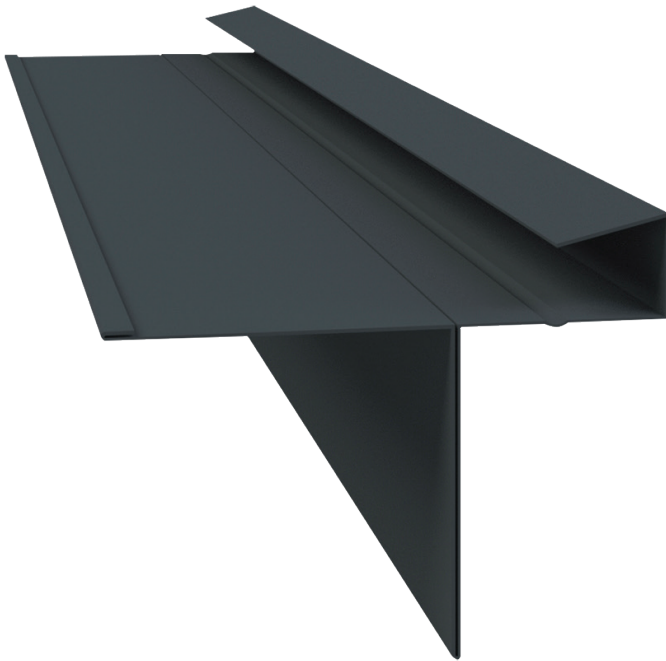
## TECHNICAL DATA SHEET

### Product Details

The Kytun Slate Dry Verge System permanently secures slate applications on gable ends protecting the verge from wind uplift and rain.

The Slate Dry verge System can be used with both interlocking slates and double lap natural or fibre cement slates.

The components are manufactured from high grade pre-primed polyester coated aluminium.



### Dimensions

C02 / C02N Aluminium

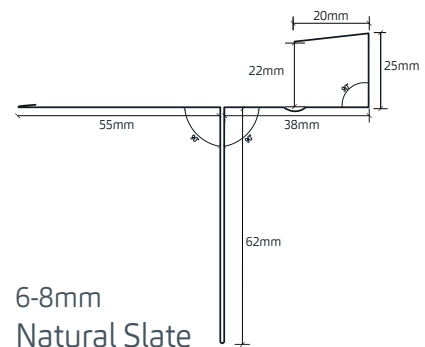
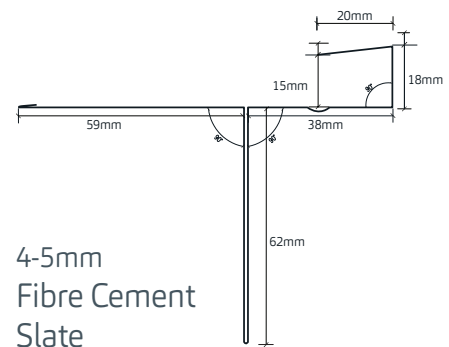
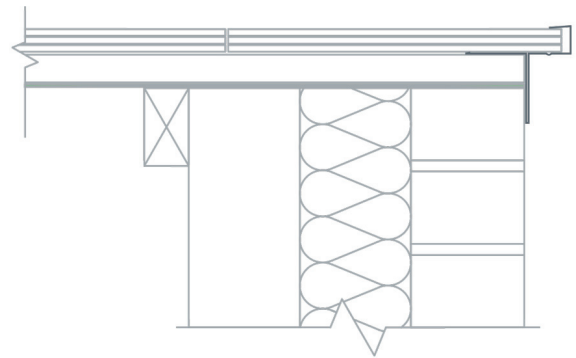
Overall length: 2400mm/3000mm

Code	Size	Colour	Pk Qty
C02	18mm x 2.4m/3m	Blk • Blue/Blk • Brwn	8
C02N	25mm x 2.4m/3m	Blk • Blue/Blk • Brwn	8

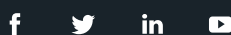
Aluminium  
Polyester Coated

### Product Features

- Provides full wind uplift and rain protection.
- Patented 'Drip System' which allows for self drainage of rain water into the gutter.
- Extremely easy and quick to install.
- Requires no maintenance once installed.
- Can be fully customised.
- Extensive range of colours available.



**NWA**  
GROUP



U.K. Office: Brook Hse, Stock Lane,  
Halifax, W. Yorkshire, HX2 7RU.

T. +44 (0)1684 293702

E. [info@kytun.com](mailto:info@kytun.com) W. [www.kytun.com](http://www.kytun.com)