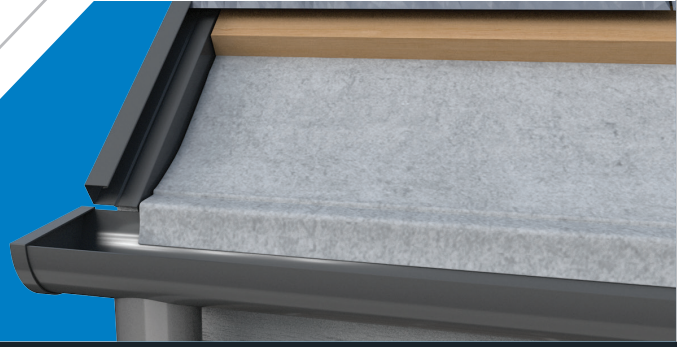


Kytun™

ALUVERGE®



C03 SLATE DRY VERGE

TECHNICAL DATA SHEET

The Kytun Retro-Fit Slate Dry Verge System trim is ideal for roofs to which slates have already been fixed, to prevent slates from wind uplift.

The design helps protect the edge of the roof from the elements and eliminates the possibility of lifting and damage to the roof underlay. No mortar or timber guides are required. It can be bespoke manufactured to virtually any profile to suit individual requirements.

All our bespoke dry verge is manufactured from 0.7mm high grade Aluminium.



bre



C03/3N SLATE DRY VERGE

TECHNICAL DATA SHEET

Product Details

The Kytun Retro-Fit Slate Dry Verge System trim is ideal for roofs to which slates have already been fixed, to prevent slates from wind uplift.

It is installed by placing the trim over the edge of the slates and face fixing into the barge boards.

The components are manufactured from high grade pre-primed polyester coated aluminium.

Product Features

- Provides full wind uplift and rain protection.
- Patented 'Drip System' which allows for self drainage of rain water into the gutter.
- Extremely easy and quick to install.
- Requires no maintenance once installed.
- Can be fully customised.
- Extensive range of colours available.

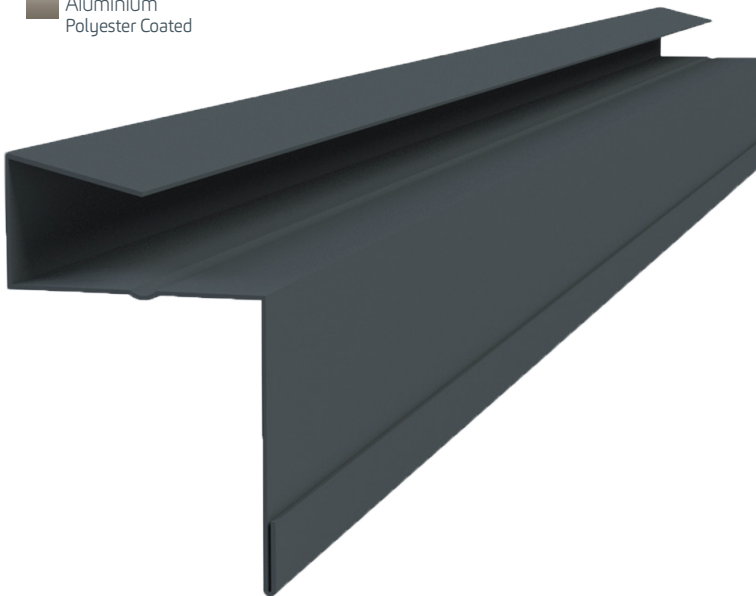
Dimensions

C03/C03N Slate Trim Retro Fit Aluminium

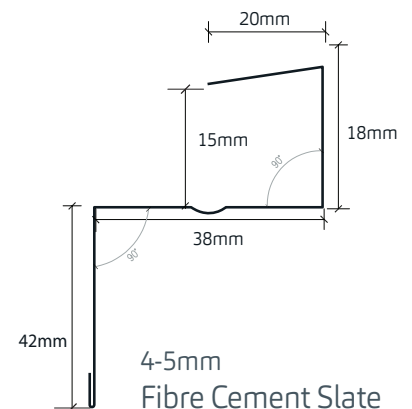
Overall length: 2400mm/3000mm

Code	Size	Colour	Pk Qty
C03	18mm x 2.4m/3m	Blk • Blue/Blk • Brwn	10
C03N	25mm x 2.4m/3m	Blk • Blue/Blk • Brwn	10

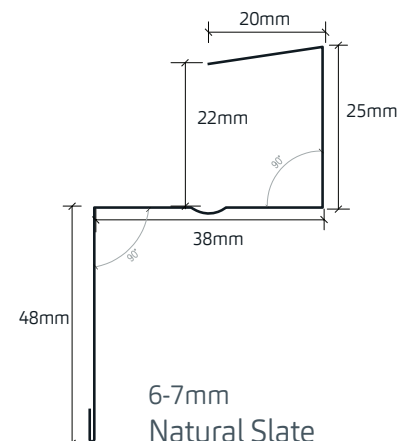
Aluminium
Polyester Coated



BESPOKE VERSIONS AVAILABLE

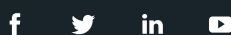


4-5mm
Fibre Cement Slate



6-7mm
Natural Slate

NWA
GROUP



U.K. Office: Brook Hse, Stock Lane,
Halifax, W. Yorkshire, HX2 7RU.

T. +44 (0)1684 293702

E. info@kytun.com W. www.kytun.com