

Kytun™

ALUVERGE®

C08TS/T TILE DRY VERGE

TECHNICAL DATASHEET

The Kytun Tile Dry Verge System permanently secures tiles on gable ends and gives an attractive maintenance free finish to the roofline.

The design helps protect the edge of the roof from the elements and eliminates the possibility of lifting and damage to the roof underlay. No mortar or timber guides are required. It can be bespoke manufactured to virtually any profile to suit individual requirements.

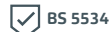
All our bespoke dry verge is manufactured from 0.7mm high grade Aluminium.

Compatibility

45mm Version: Suitable for a maximum individual tile thickness of 20mm

55mm Version: Suitable for a maximum individual tile thickness of 25mm

65mm Version: Suitable for a maximum individual tile thickness of 30mm



bre



C08TS/T TILE DRY VERGE

TECHNICAL DATA SHEET

Product Features

- Provides full wind uplift and rain protection.
- Extremely easy and quick to install.
- Requires no maintenance once installed.
- Can be fully customised.
- Available in a range of colours:
Black, Blue/Black, Brown & White.
- Powder coated colours also available on request.

Dimensions

C08TS/C08T Aluminium

Overall length: 2400mm & 3000mm

Code	Size	Colour	Pk Qty
C08TS	50mm x 2.4m/3m	Blk • Blue/Blk • Brwn • Wht	4
C08T	65mm x 2.4m/3m	Blk • Blue/Blk • Brwn • Wht	4
C08TSJ	50mm x 2.4m/3m	Blk • Blue/Blk • Brwn • Wht	1
C08TJ	65mm x 2.4m/3m	Blk • Blue/Blk • Brwn • Wht	1

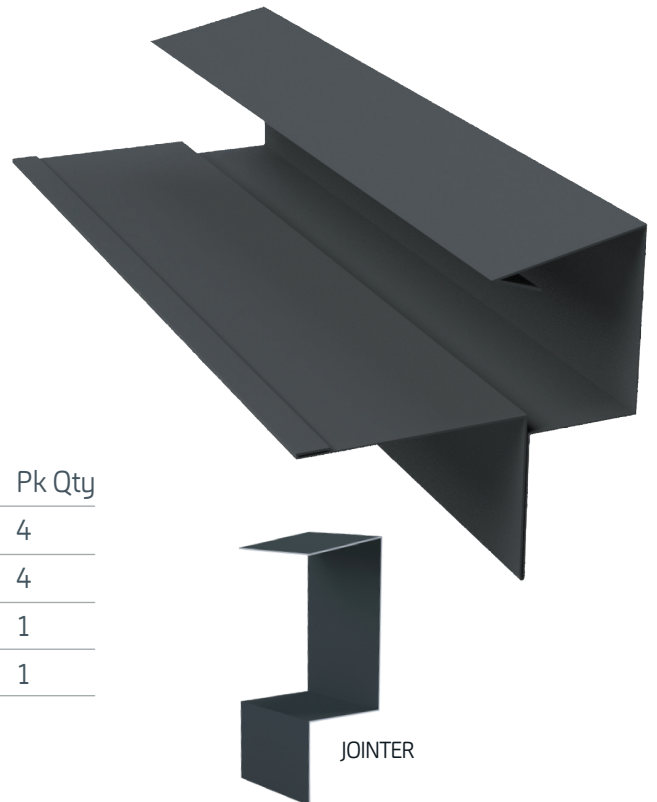
Fully compatible with most tiles on the market.
Suitable for brick, render & bargeboard construction.

50mm Version: Suitable for a maximum individual tile thickness of 25mm.

65mm Version: Suitable for a maximum individual tile thickness of 32mm.

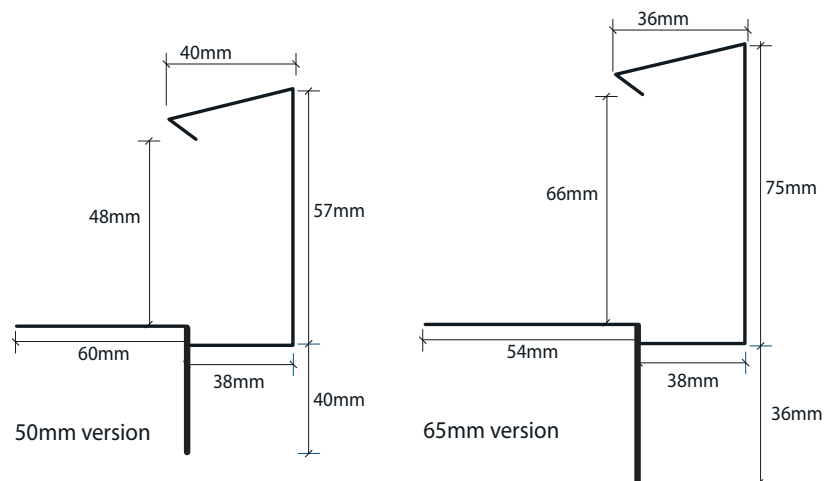
Compatibility

Fully compatible with most tiles on the market. Suitable for brick, render and bargeboard construction.

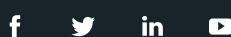


BESPOKE VERSIONS AVAILABLE

The C08E range can be bespoke manufactured to accommodate all sizes and virtually any profile to suit individual requirements.



NWA
GROUP



U.K. Office: Brook Hse, Stock Lane,
Halifax, W. Yorkshire, HX2 7RU.

T. +44 (0)1684 293702

E. info@kytun.com W. www.kytun.com